
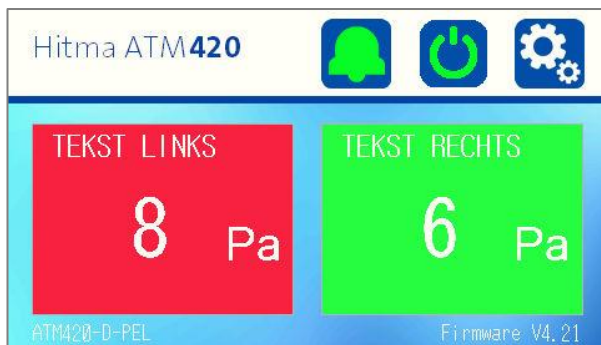





## Installation instructions ATM420 (for the installer)

### Settings Menu

To get in the settings menu, press the icon with the gears . This menu is protected with the password **1420** to prevent unauthorized use.



In the settings menu you can adjust the titles above the measurements and set the threshold values for visual alarm signals and the buzzer. With the arrow keys   you navigate through the menu and by pressing the home button  the adjustments are saved and you return to the measurements.



Adjusting the titles above the measurements



Threshold values for alarms

In case you have one measurement on the display (version ATM420-S) then you will see in the settings menu only the fields on the left. When you have two pressure measurements (version ATM420-D) you can set the titles and threshold values for both the measurements. The settings on the left are for the measurement left and the settings on the right are for the measurement right.

## Settings menu (cont.)



Settings for audio alarm



Settings for connected accessories

Optionally you can adjust the interval in which the buzzer makes its noise. The standard setting is that the buzzer beeps for 1 second and is then silent for 5 seconds.

At the accessory settings you can activate or deactivate an optional slave display. Additionally, the buzzer of the SL420 status lamp can be turned on or off from these settings.



Language settings



version information and factory settings

At the language settings you can change the display to a different language.

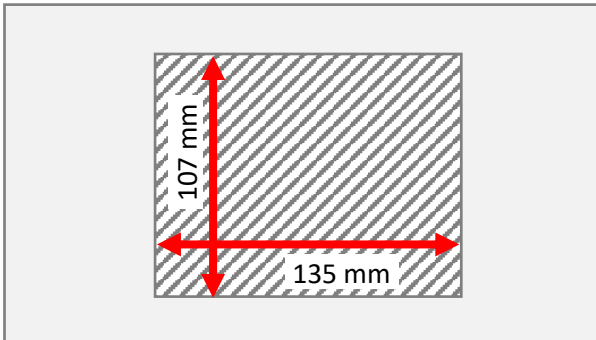
On the last page you will find the version information and the opportunity to reboot the display. The INIT button should only be used if approved by the supplier.

## Service and maintenance

We advise to calibrate the transmitter(s) yearly. Our own customer service can perform this for you on location. We would gladly inform you about the possibilities. You can contact us at [info@hitma-instrumentatie.nl](mailto:info@hitma-instrumentatie.nl) or call 0297 - 514 790 for Netherlands and 02 - 387 28 64 for Belgium.

## Assembly instructions

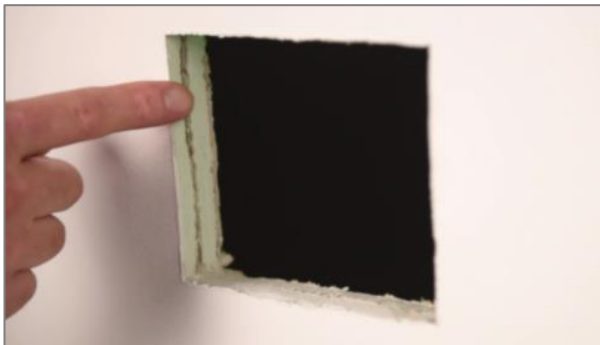
The ATM420 display unit consists out of two parts. The display itself and the built-in box. The built-in box is ideal for assembly in hollow walls of double plasterboard or single plasterboard equipped with a wooden frame.



**Make a hole of 135 by 107 mm**



**Mark off with help of the built-in box**

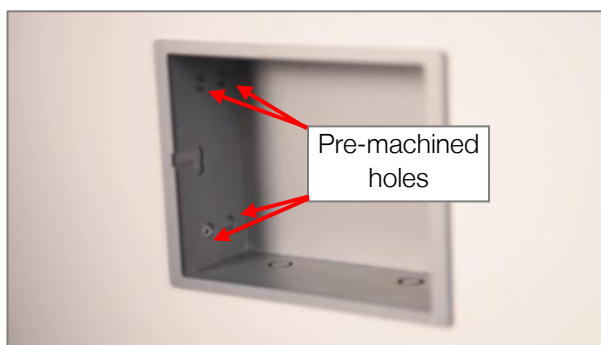


**Hole in a double plasterboard wall**

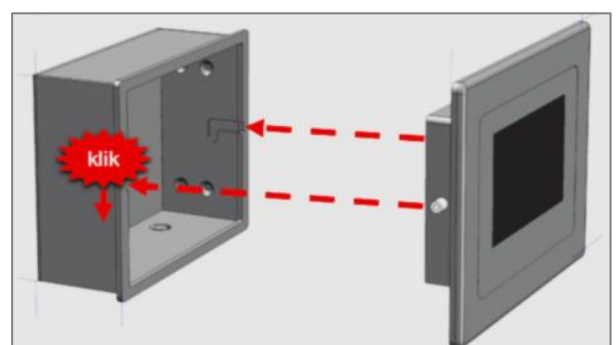


**Single plasterboard wall with wooden frame.**

The built-in box can easily be attached with screws in the holes on the sides of the built-in-box. For air-tight assembly the built-in box can be attached to the wall using a mounting sealant. The electrical connection can be installed using pre-installed cable entries.



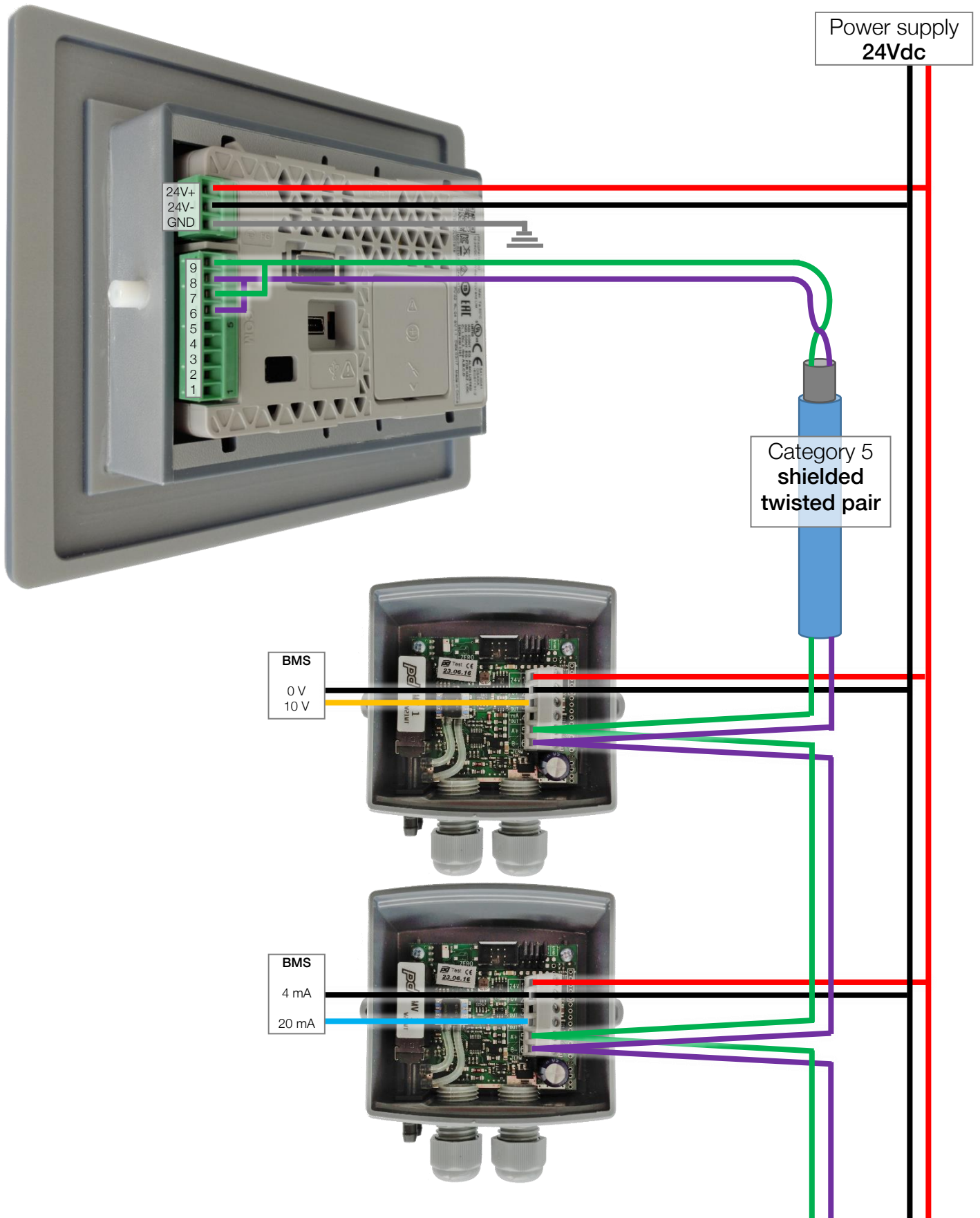
**Built-in box in the wall**



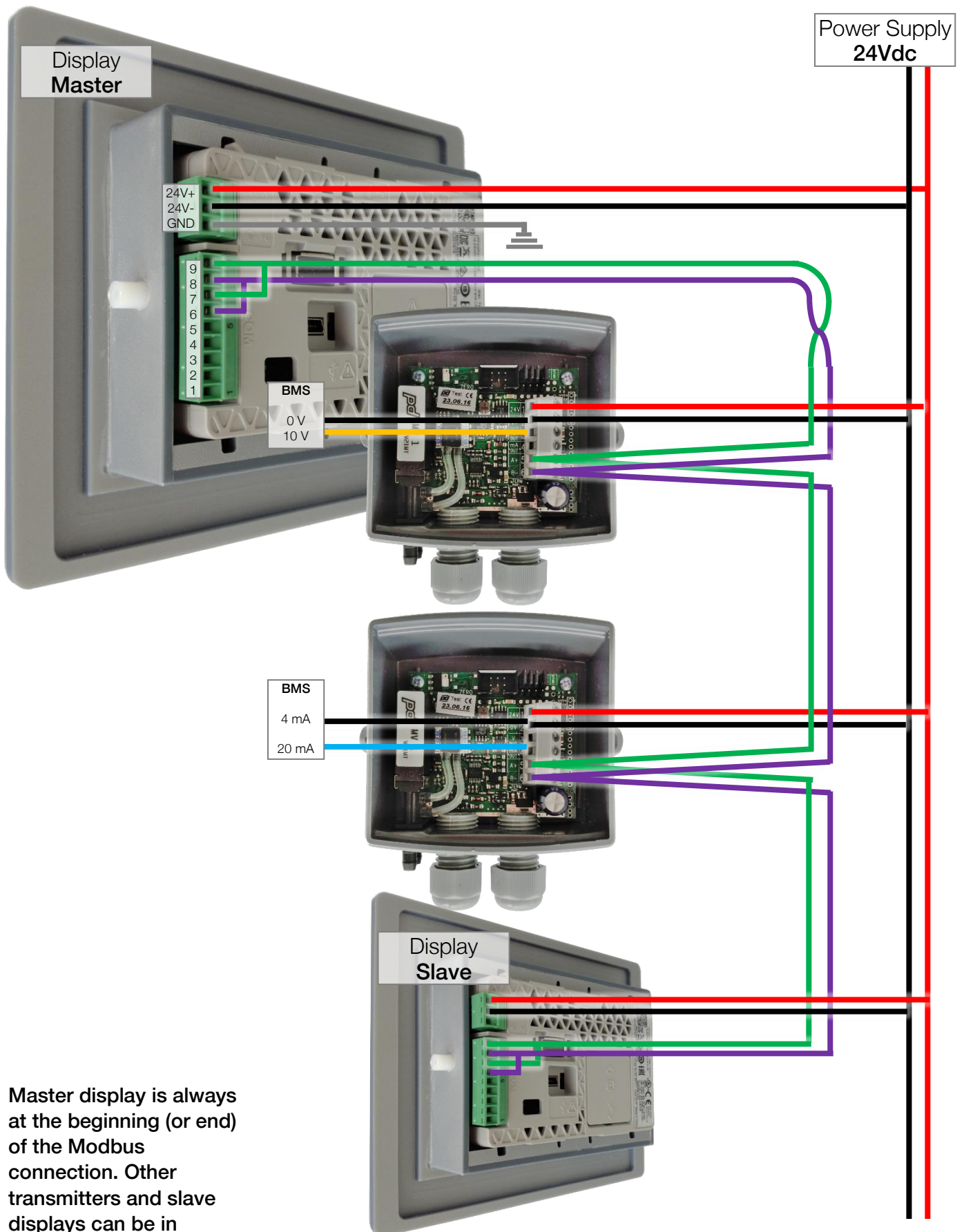
**The display clicks into the built-in box**

The display can easily be shifted back into the built-in box. When the box cannot be placed further back, you click and attach the display by pushing it downwards.

## ATM420 standard wiring diagram



## ATM420 Master-Slave wiring diagram



Master display is always at the beginning (or end) of the Modbus connection. Other transmitters and slave displays can be in whatever order.

## SL420 Status lamp connection

